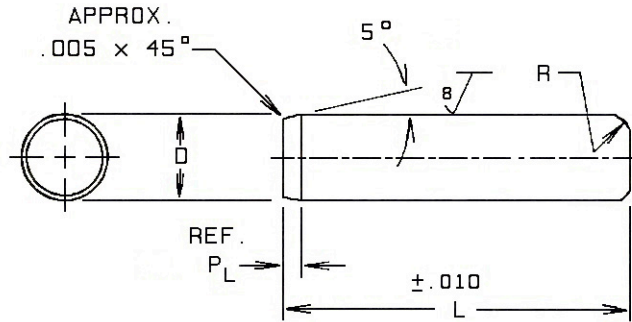


Inch Series Dowel Pins



Nominal Diameter	Diameter D				PL Point Length Ref.	R Top Radius Basic
	Standard Pin Max.	Standard Pin Min.	Oversize Pin Max.	Oversize Pin Min.		
1/8	0.1253	0.1251	0.1261	0.1259	0.045	0.031
3/16	0.1878	0.1876	0.1886	0.1884	0.060	0.046
1/4	0.2503	0.2501	0.2511	0.2509	0.070	0.062
5/16	0.3128	0.3126	0.3136	0.3134	0.070	0.062
3/8	0.3753	0.3751	0.3761	0.3759	0.080	0.078
7/16	0.4378	0.4376	0.4386	0.4384	0.090	0.093
1/2	0.5003	0.5001	0.5011	0.5009	0.090	0.109
5/8	0.6253	0.6251	0.6261	0.6259	0.090	0.125
3/4	0.7503	0.7501	0.7511	0.7509	0.120	0.125
7/8	0.8753	0.8751	0.8761	0.8759	0.120	0.125
1	1.0003	1.0001	1.0011	1.0009	0.120	0.125

Mechanical Properties

Nominal Diameter	Single Shear Strength Pounds	Double Shear Strength Pounds	Recommended Hole Size Standard Pins	
			Max.	Min.
1/8	1840	3680	0.1250	0.1245
3/16	4150	8300	0.1875	0.1870
1/4	7360	14720	0.2500	0.2495
5/16	11500	23000	0.3125	0.3120
3/8	16550	33100	0.3750	0.3745
7/16	22550	45100	0.4375	0.4370
1/2	29450	58900	0.5000	0.4995
5/8	46000	92000	0.6250	0.6245
3/4	66200	132400	0.7500	0.7495
7/8	90200	180400	0.8750	0.8745
1	117800	235600	1.0000	0.9995

Applicable Standard: ASME B18.8.2
Alloy Steel; Core Hardness Rc 47-58
Case Hardness Rc 60 min.