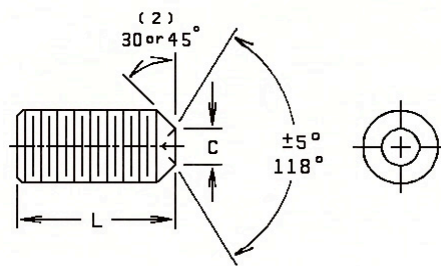
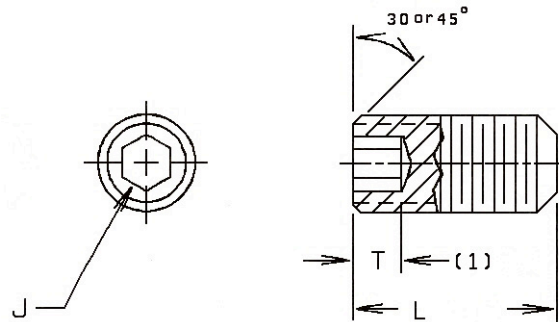


Metric Cup Point Socket Set Screws



CUP POINT

Nominal Size	J Hex Socket Size	T Minimum Key Engagement Note 1	C Cup Point Diameter	
			Max.	Min.
M2x0.4	0.9	0.6-1.5	1.00	1.25
M2.5x0.45	1.3	0.7-1.8	1.25	1.05
M3x0.5	1.5	0.6-2.1	1.50	1.28
M4x0.7	2.0	1.0-2.3	2.00	1.75
M5x0.8	2.5	1.2-2.7	2.50	2.22
M6x1.0	3.0	1.8-3.0	3.00	2.75
M8x1.25	4.0	1.8-4.0	4.00	3.65
M10x1.50	5.0	2.0-5.0	5.00	4.60
M12x1.75	6.0	3.0-6.0	6.00	5.57
M16x2.0	8.0	3.0-8.0	8.00	7.50
M20x2.5	10.0	6.0-10.0	10.00	9.44
M24x3.0	12.0	5.0-12.0	12.00	11.39

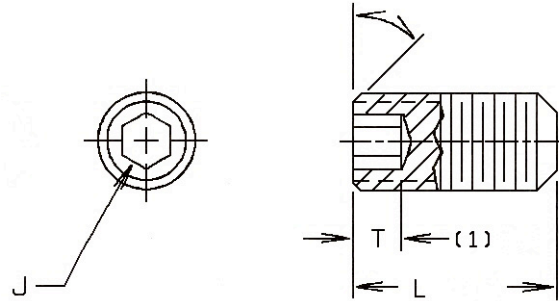
Applicable Specifications: ASME B18.3.6M and ASTM F912M

Note 1: Depth of socket is dependent on screw length. See chart on next page

Note 2: The point angle shall be $45^{\circ} + 5^{\circ} - 0^{\circ}$ for screws equal to or longer than the screw diameter, and a minimum 30° for screws shorter in length than diameter.

Metric Cup Point Socket Set Screws (continued)

Minimum Hex Key Engagement



Nominal Screw Diameter	Minimum Key Engagement													
	Screw Length													
	1.5	2	2.5	3	4	5	6	8	10	12	16	20	25	30
M2x0.4	0.6	0.8	1.0	1.2	1.5									
M2.5x0.45		0.7	1.1	1.5	1.8									
M3x0.5		0.6	1.1	1.5	2.1	2.1								
M4x0.7			1.0	1.3	1.8	2.3	2.3							
M5x0.8				1.2	2.0	2.7	2.7	2.7						
M6x1.0					1.8	2.5	3.0	3.0						
M8x1.25						1.8	2.5	4.0	4.0					
M10x1.50							2.0	3.6	5.0	5.0				
M12x1.75								3.0	4.5	6.0	6.0			
M16x2.0									3.0	4.8	8.0	8.0		
M20x2.5										---	6.0	9.0	12.0	
M24x3.0											5.0	8.0	12.0	12.0