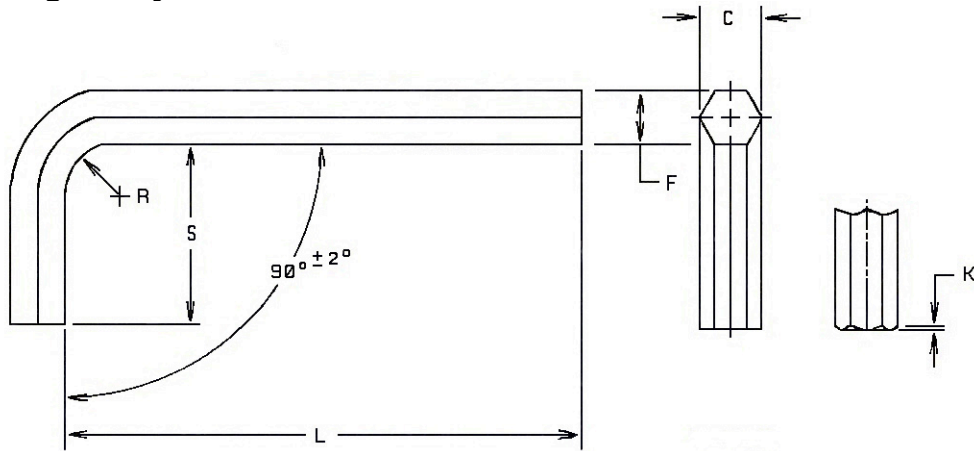


Metric Hexagon Keys

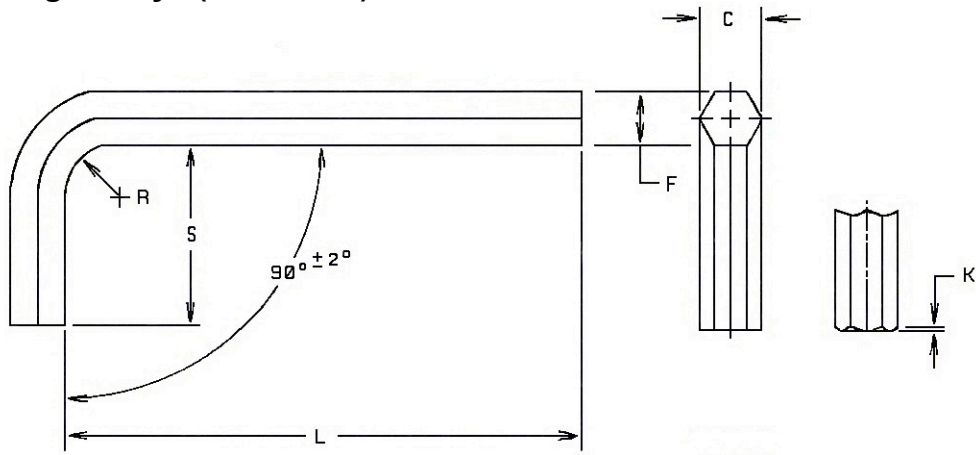


Nominal Key Size	F Hex Width Across Flats		C Hex Width Across Corners		S Length Of Short Arm		L Length of Long Arm Short Series		L Length of Long Arm Long Series		R Radius of Bend Min.	K Chamfer Max.
	Max.	Min.	Max.	Min.	Max.	Min.	Max.	Min.	Max.	Min.		
0.7	0.711	0.698	0.798	0.762	8	3	34	28	69	63	1.5	0.08
0.9	0.899	0.876	0.998	0.960	11	6	34	28	71	65	1.5	0.10
1.3	1.270	1.244	1.422	1.372	16	11	44	39	75	69	1.5	0.14
1.5	1.500	1.470	1.690	1.640	14	13	45	43	78	76	1.5	0.14
2	2.000	1.970	2.250	2.200	16	15	50	48	83	81	2.0	0.14
2.5	2.500	2.470	2.820	2.770	18	17	56	53	90	87	2.5	0.14
3	3.000	2.960	3.399	3.340	20	18	63	60	100	97	3.0	0.18
4	4.000	3.960	4.532	4.470	25	23	70	66	106	102	4.0	0.24
5	5.000	4.960	5.690	5.630	28	26	80	76	118	114	5.0	0.30
6	6.000	5.950	6.828	6.760	32	30	90	86	140	136	6.0	0.36
8	8.000	7.950	9.136	9.030	36	34	100	95	160	155	8.0	0.49
10	10.000	9.950	11.470	11.340	40	38	112	106	170	164	10.0	0.62
12	12.000	11.950	13.764	13.590	45	43	125	119	212	206	12.0	0.76
14	14.000	13.930	16.058	15.880	56	53	140	133	236	229	14.0	0.85
17	17.000	16.930	19.499	19.300	63	60	160	152	250	242	17.0	1.04
19	19.000	18.930	21.793	21.580	70	67	180	171	280	271	19.0	1.16
22	22.000	21.930	25.234	25.000	80	76	200	190	335	325	22.0	1.36
24	24.000	23.930	27.525	27.240	90	86	224	213	375	364	24.0	1.49
27	27.000	26.870	30.969	30.710	100	95	250	238	---	---	27.0	1.68
32	32.000	31.840	36.704	36.430	125	119	315	300	---	---	32.0	1.99
36	36.000	35.840	41.292	40.900	140	133	355	338	---	---	36.0	2.25

Applicable Specifications: ASME B18.3.2M

Hardness: R_C 45-53.

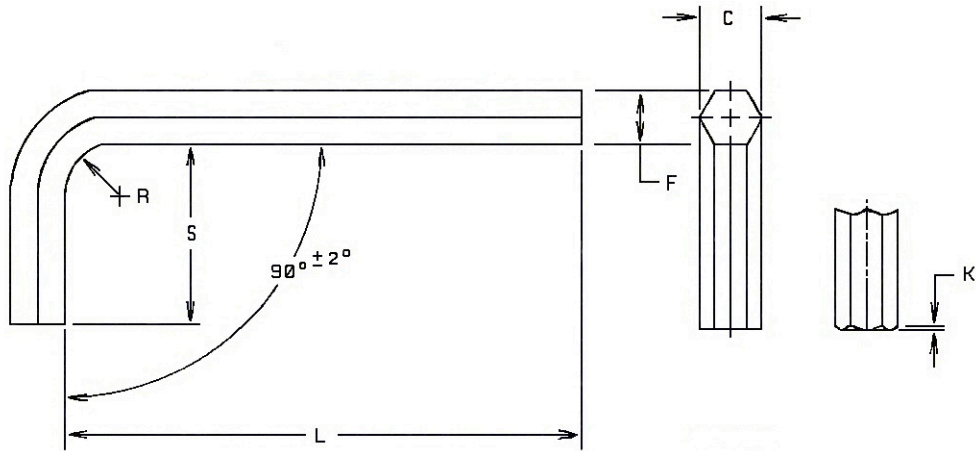
Metric Hexagon Keys (continued)



Mechanical Properties

Nominal Hex Key Size	Torque Rating (Nm)
0.7	0.1
0.9	0.2
1.3	0.6
1.5	1.0
2	2.1
2.5	4.7
3	7.7
4	17.8
5	35
6	57
8	126
10	252
12	420
14	670
17	1180
19	1670
22	2450
24	3200
27	4300
32	6800
36	10000

Metric Hexagon Keys (continued)



Metric Hex Key/Socket Screw Product Application

Nominal Hex Key Size	Socket Head Cap Screws	Flat Head Socket Cap Screws	Button Head Socket Cap Screws	Socket Shoulder Screws	Socket Set Screws
0.7	---	---	---	---	M1.6
0.9	---	---	---	---	M2
1.3	---	---	---	---	M2.5
1.5	M1.6	---	---	---	M3
2	M2.5	M3	M3	---	M4
2.5	M3	M4	M4	---	M5
3	M4	M5	M5	M6.5	M6
4	M5	M6	M6	M8	M8
5	M6	M8	M8	M10	M10
6	M8	M10	M10	M12	M12
8	M10	M12	M12	M16	M16
10	M12	M16	M16	M20	M20
12	M14	M20	---	M25	M24
14	M16	---	---	---	---
17	M20	---	---	---	---
19	M24	---	---	---	---
22	M30	---	---	---	---
24	---	---	---	---	---
27	M36	---	---	---	---

Metric Fasteners (continued)

Metric Prefixes

Prefix	Symbol	Multiplier
tera	T	1,000,000,000,000
giga	G	1,000,000,000
mega	M	1,000,000
kilo	K	1,000
hector	H	100
deka	da	10
		1
deci	d	0.1
centi	c	0.01
milli	m	0.001
micro	μ	0.000001
nana	n	0.000000001
pico	p	0.000000000001